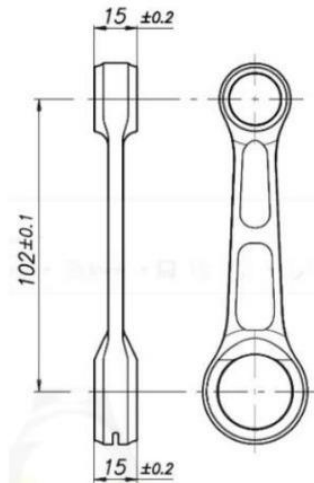
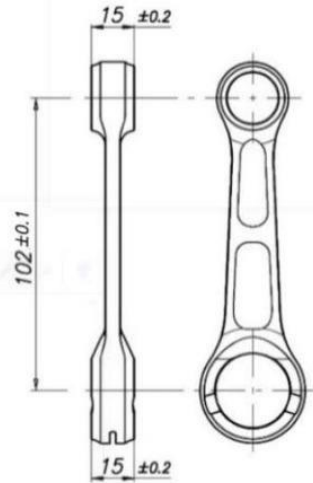


ANEXO 3/ 23 – VARIANTE DE PRODUCCIÓN MOTORES IAME MY10

Se autoriza en la utilización de la biela p.n. IFC 50100-47 o con el modelo mejorado ya en uso en IAME X30 125cc, p.n. ENC50100-47.



p.n. IFC-50100-47



p.n. ENC50100-47



8 de febrero de 2023



IAME SUDAM 125cc

Italy, 27/01/2023

Dear Sirs,

to harmonize both production and availability worldwide, we are kindly informing you that the IAME SUDAM 125cc engines may be supplied with the current conrod p.n. IFC 50100-47 or with the improved model already in use on IAME X30 125cc, p.n. ENC50100-47.

The main dimensions of the conrods are unchanged, the only difference regards the four slots on the big end's lateral planes, intended to improve the lubrication. The difference in weight is negligible.

Of course the concerned difference does not affect the engine performance or behavior in any way.

